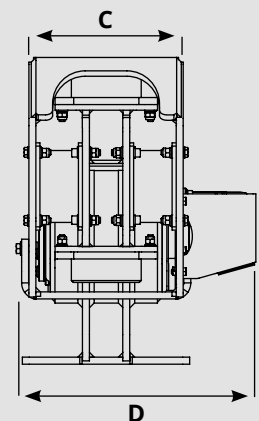
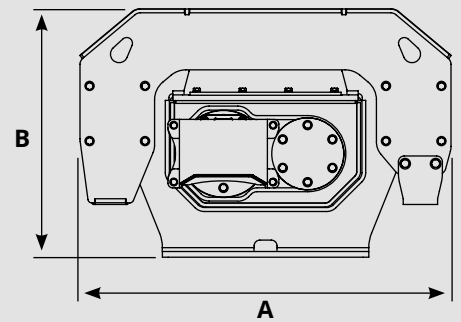


w2 120.0 Plury

Tons 14.0 - 25.0



Model	PLURY W2 120.0	PLURY W2 120.0	PLURY W2 120.0
A (mm)	1030	1030	1030
B (mm)	735	735	735
C (mm)	395	395	395
D (mm)	560	560	560
Peso / Weight (Kg)	533	533	533
Motore / Engine (CC)	43.4	47	51
Portata Olio Hydraulic Fluid Flow Rate (L/Min)	93	101	110
Pressione / Pressure (BAR)	150/220	150/220	150/220
Frequenza Vibrazione Vibration Rate (RPM)	2.143	2.149	2.157
Forza centrifuga Centrifugal Force (Kn)	120	120	120
Hertz	36	36	36



MACHINE ATTACHMENTS

Tons 8.0 - 40.0



ATTACCHI MACCHINE / MACHINE ATTACHMENTS

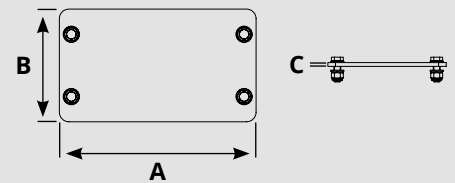
ADATTATORE PER ATTACCO RAPIDO
ADAPTER FOR QUICK COUPLING



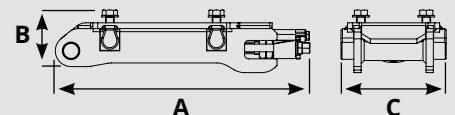
ATTACCO MACCHINA FISSO
FIXED COUPLING TO THE MACHINE



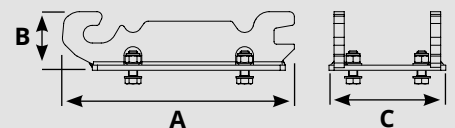
PIASTRA ATTACCO MACCHINA
BOLTED PLATE TO THE MACHINE COUPLING



TOK ATTACCO RAPIDO 8/40 TON
TOK QUICK COUPLER 8/40 TON



TOK ADATTATORE 8/40 TON
TOK ADAPTER 8/40 TON



	Model	A mm	B mm	C mm	Kg.	€
1	ADAPTER FOR QUICK COUPLING	/	/	/	/	
2	FIXED COUP. TO THE MACHINE	/	/	/	/	
3	BOLTED PLATE TO MACHINE COUPLING	710	400	20	48	
4	TOK QUICK COUPLER 8/40 ton	805	160	480	140	
5	TOK ADAPTER 8/40 ton	750	175	475	88	