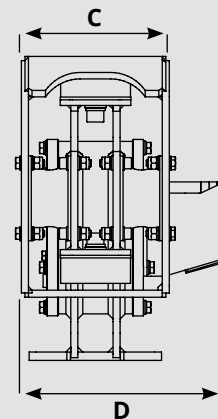
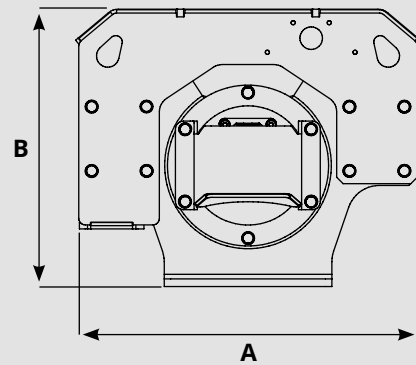


w1 9.0 Plury

Tons 1.0 - 2.0



Model	PLURY W1 9.0
A (mm)	480
B (mm)	366
C (mm)	210
D (mm)	290
Peso / Weight (Kg)	72
Motore / Engine (CC)	11
Portata Olio Hydraulic Fluid Flow Rate (L/Min)	23
Pressione / Pressure (BAR)	150/220
Frequenza Vibrazione Vibration Rate (RPM)	2.130
Forza centrifuga Centrifugal Force (Kn)	9
Hertz	35



MACHINE ATTACHMENTS

Tons 1.0 - 4.5



ATTACCHI MACCHINE / MACHINE ATTACHMENTS

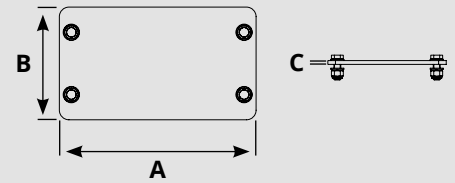
ADATTATORE PER ATTACCO RAPIDO
ADAPTER FOR QUICK COUPLING



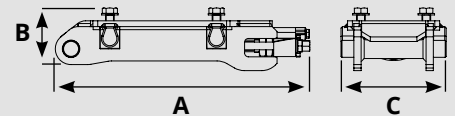
ATTACCO MACCHINA FISSO
FIXED COUPLING TO THE MACHINE



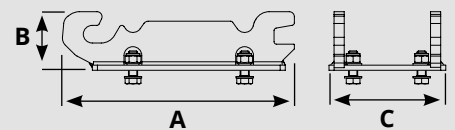
PIASTRA ATTACCO MACCHINA
BOLTED PLATE TO THE MACHINE COUPLING



TOK ATTACCO RAPIDO 1/4.5 TON
TOK QUICK COUPLER 1/4.5 TON



TOK ADATTATORE 1/4.5 TON
TOK ADAPTER 1/4.5 TON



	Model	A mm	B mm	C mm	Kg.	€
1	ADAPTER FOR QUICK COUPLING	/	/	/	/	
2	FIXED COUPL. TO THE MACHINE	/	/	/	/	
3	BOLTED PLATE TO MACHINE COUPLING	390	195	10	7	
4	TOK QUICK COUPLER 1/4.5 ton	525	103	220	29	
5	TOK ADAPTER 1/4.5 ton	460	120	230	19,5	