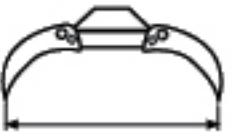








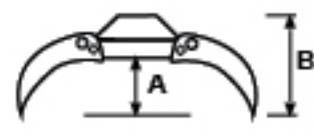





 **10,0 - 12,0 ton**

		 MAX									
mm	Kg.	bar	lt.	m ²	mm	mm	mm	mm	A mm	B mm	mm
1820	400	250	90	0.40	1005	120	1180	680	590	980	580