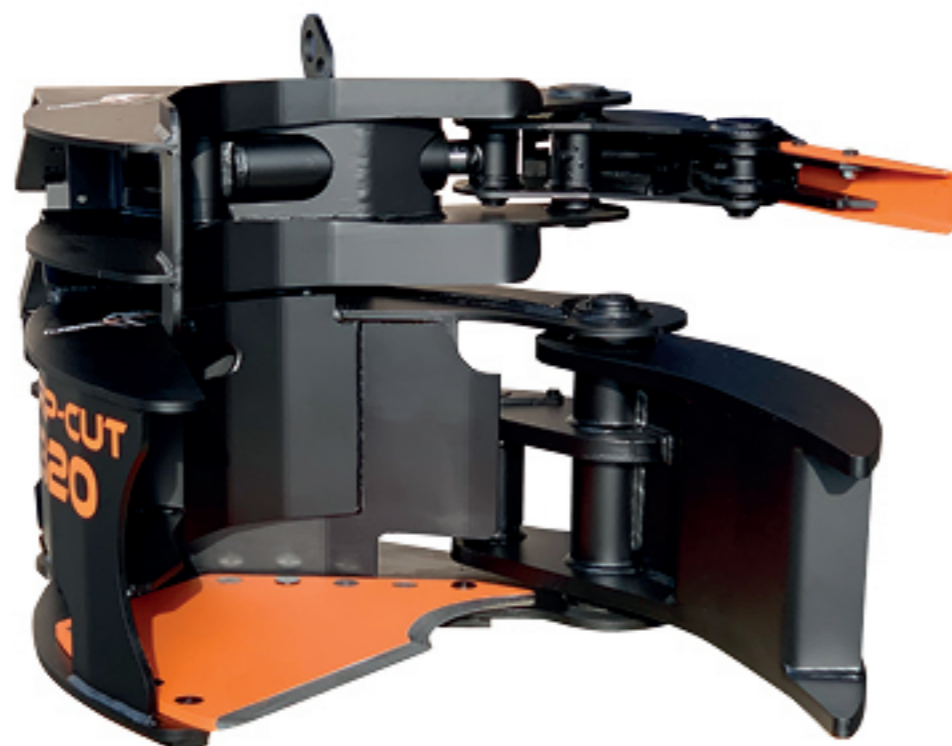
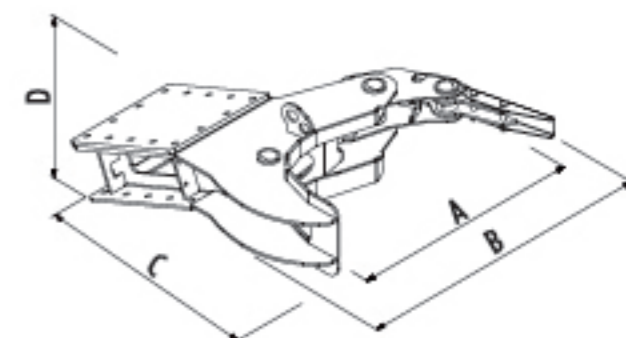


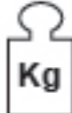


8,0 - 15,0 ton



	bar	280
	lit/min	40 - 60
	Kg.	150
A	mm	934
B	mm	1118
C	mm	1169
D	mm	498